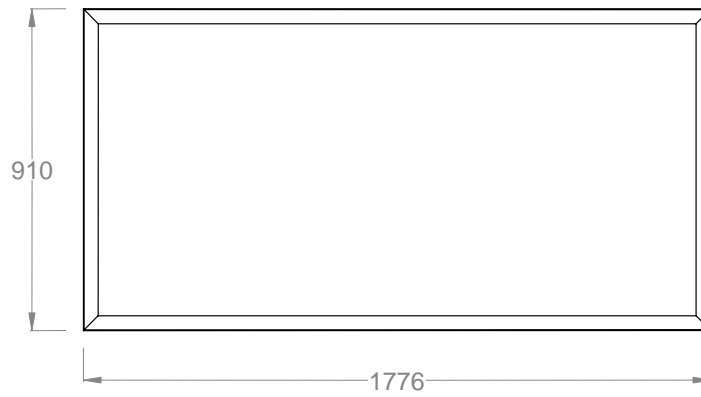
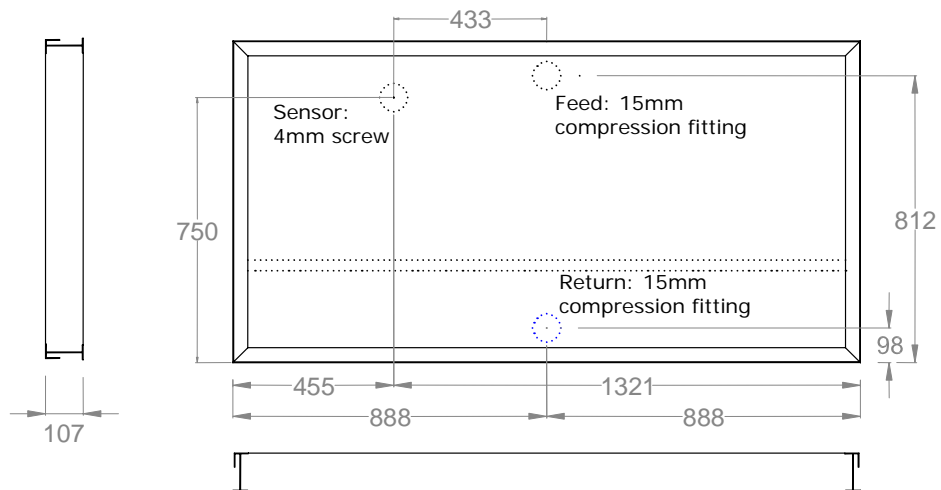


Front view



Connections (Viewed from glass front)



Original discription: Vlakke plaat collector Thermic 14 H			
Scale:	Revisionnr.: 3	Date: 30-07-2002	
Drawer: P. V.d.Bossche	Approved by:	AutoCad drawing number: PI 1105-14H	

PRODUCT INFORMATION